

CORRECTED VERSION

(19) World Intellectual Property  
Organization  
International Bureau



(43) International Publication Date  
18 August 2005 (18.08.2005)

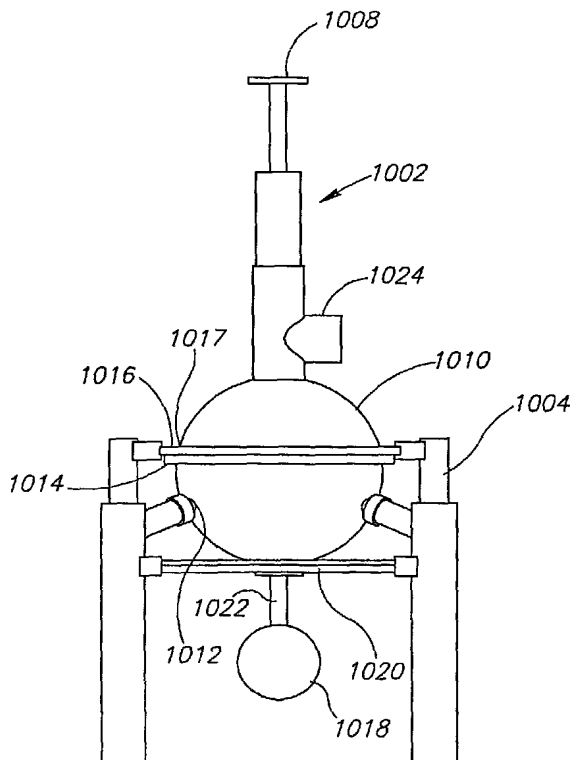
PCT

(10) International Publication Number  
WO 2005/074371 A2

- (51) International Patent Classification: Not classified
- (71) Applicant (for all designated States except US): REABIL-  
ITY INC.; NERINE CHAMBERS, P.O. Box 905, Road  
Town, Tortola (VG).
- (21) International Application Number: PCT/IL2005/000140
- (72) Inventors; and
- (22) International Filing Date: 4 February 2005 (04.02.2005)
- (75) Inventors/Applicants (for US only): EINAV, Omer  
[IL/IL]; 42875 Kfar Monash (IL). EINAV, Haim [IL/IL];  
28 Shlush Street, 65149 Tel-Aviv (IL). ROUSSO, Benny  
[IL/IL]; 12 Henry Bergson Street, 75801 Rishon Lezion  
(IL). SHABANOV, Doron [IL/IL]; 34 Hadkalim Boule-  
vard, 44862 Zur Igal (IL). KATZIR, Eran [IL/IL];  
12 Amnon Vetamar Street, 48580 Rosh Ha'Ayin (IL).  
BINYAMINI, Gad [IL/IL]; 45870 Moshav Hagor (IL).
- (25) Filing Language: English
- (26) Publication Language: English
- (30) Priority Data:
- |            |                              |    |
|------------|------------------------------|----|
| 60/542,022 | 5 February 2004 (05.02.2004) | US |
| 60/566,079 | 29 April 2004 (29.04.2004)   | US |
| 60/566,078 | 29 April 2004 (29.04.2004)   | US |
| 60/604,615 | 25 August 2004 (25.08.2004)  | US |
| 60/633,428 | 7 December 2004 (07.12.2004) | US |
| 60/633,442 | 7 December 2004 (07.12.2004) | US |
| 60/633,429 | 7 December 2004 (07.12.2004) | US |
- (74) Agents: FENSTER, Paul et al.; FENSTER & COM-  
PANY, INTELLECTUAL PROPERTY LTD., P.O. Box  
10256, 49002 Petach Tikva (IL).
- (81) Designated States (unless otherwise indicated, for every  
kind of national protection available): AE, AG, AL, AM,  
AT, AU, AZ, BA, BB, BG, BR, BW, BY, BZ, CA, CH, CN,

[Continued on next page]

(54) Title: METHODS AND APPARATUS FOR REHABILITATION AND TRAINING



(57) Abstract: A rehabilitation device comprising: a frame; an actuator that includes a movement mechanism capable of applying a force that interacts with a motion of a patient's limb in a volume of at least 30 cm in diameter, in at least three degrees of freedom of motion of the actuator and capable of preventing substantial motion in any point in any direction in said volume; a joint interconnecting said frame and said actuator and allowing multiple different relative placements of said movement mechanism on said frame, such that said volume moves relative to said frame.

WO 2005/074371 A2



CO, CR, CU, CZ, DE, DK, DM, DZ, EC, EE, EG, ES, FI, GB, GD, GE, GH, GM, HR, HU, ID, IL, IN, IS, JP, KE, KG, KP, KR, KZ, LC, LK, LR, LS, LT, LU, LV, MA, MD, MG, MK, MN, MW, MX, MZ, NA, NI, NO, NZ, OM, PG, PH, PL, PT, RO, RU, SC, SD, SE, SG, SK, SL, SM, SY, TJ, TM, TN, TR, TT, TZ, UA, UG, US, UZ, VC, VN, YU, ZA, ZM, ZW.

**(84) Designated States** (*unless otherwise indicated, for every kind of regional protection available*): ARIPO (BW, GH, GM, KE, LS, MW, MZ, NA, SD, SL, SZ, TZ, UG, ZM, ZW), Eurasian (AM, AZ, BY, KG, KZ, MD, RU, TJ, TM), European (AT, BE, BG, CH, CY, CZ, DE, DK, EE, ES, FI, FR, GB, GR, HU, IE, IS, IT, LT, LU, MC, NL, PL, PT, RO, SE, SI, SK, TR), OAPI (BF, BJ, CF, CG, CI, CM, GA, GN, GQ, GW, ML, MR, NE, SN, TD, TG).

**Published:**

— *without international search report and to be republished upon receipt of that report*

**(48) Date of publication of this corrected version:**

13 October 2005

**(15) Information about Correction:**

see PCT Gazette No. 41/2005 of 13 October 2005, Section II

*For two-letter codes and other abbreviations, refer to the "Guidance Notes on Codes and Abbreviations" appearing at the beginning of each regular issue of the PCT Gazette.*